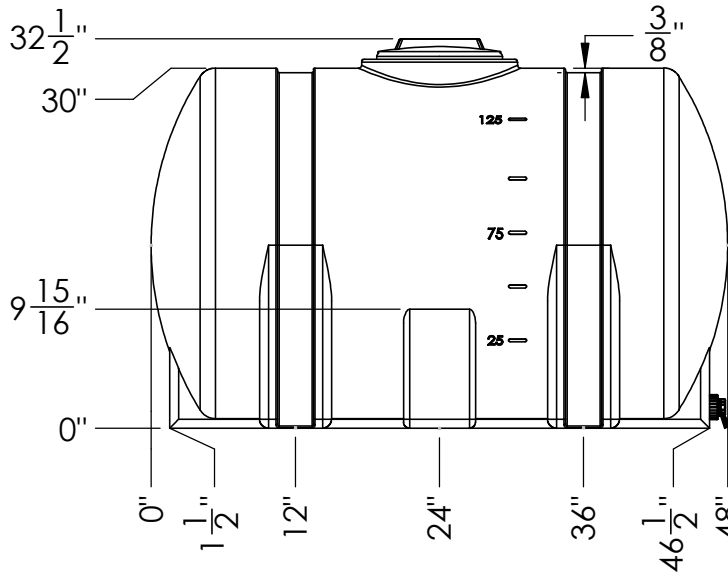


8" Closed Non-Vented Lid # 970325

8" Lid Ring with Gasket # 970326

$\phi 29 \frac{1}{2}$ "



3/4" Bulkhead PP Fitting #970233

6" $1 \frac{3}{4}$ "

Natural, Black 125 Gal Leg Tank with 3/4" End Fitting & 8" Gasketed Ring & Lid



1390 Neubrecht Road
Lima, Ohio 45801

STOCK NO. 23641, 23643

REV A

DO NOT SCALE DRAWING

WEIGHT: 51 lbs.

PROPRIETARY AND CONFIDENTIAL

THE INFORMATION CONTAINED IN THIS DRAWING IS THE SOLE PROPERTY OF TAMCO. ANY REPRODUCTION IN PART OR AS A WHOLE WITHOUT THE WRITTEN PERMISSION OF TAMCO IS PROHIBITED.

MAX. OPERATING TEMP. 140°F
INTERMITTENT SERVICE TO 160°F
SEE CHEMICAL RESISTANCE CHART FOR COMPATIBILITY

DIMENSIONS ARE IN INCHES TOLERANCE: $\pm 1/4$ "		NAME	DATE
MATERIAL	LLDPE - FDA resin	DRAWN	NJV 4/17/24
CAPACITY	125 Gal	APPROVED	
GRADUATIONS	25 Gal	REVISIONS	
NOMINAL WALL THICKNESS	1/4"	COMMENTS:	

Natural, Black
UV Stabilized